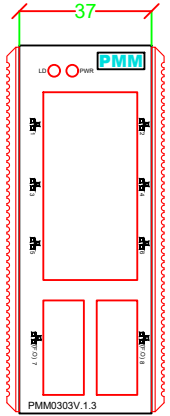
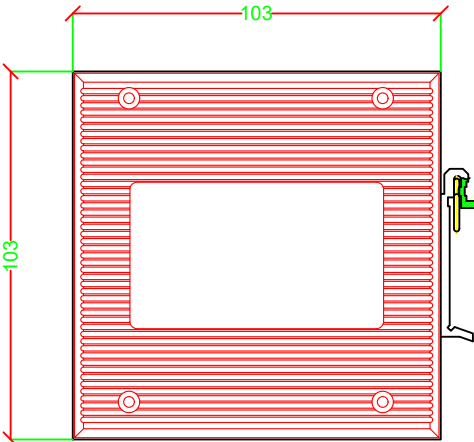


Top View

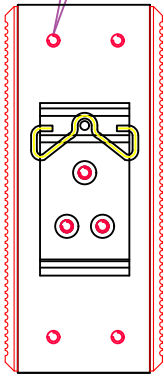
M3 Threaded hole as Din rail threaded holes



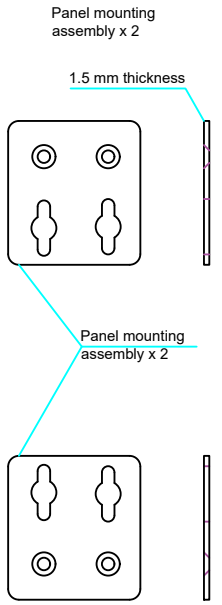
Front View



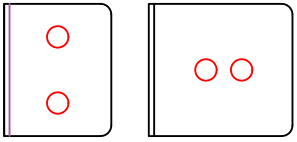
Side View



Back View



Bottom View



(X 2 per enclosure)

