

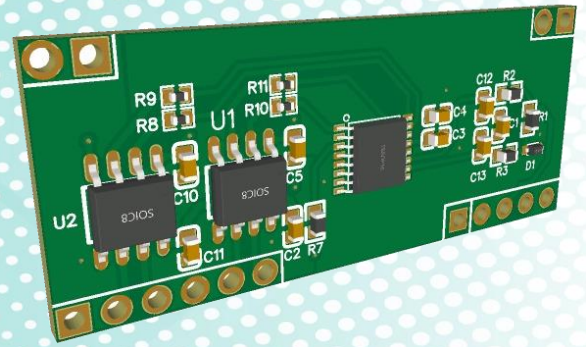


Power Meter Monitor

Model: PMM0901

Document version: 1.1

Date: February 2021



PMM Analog input Module

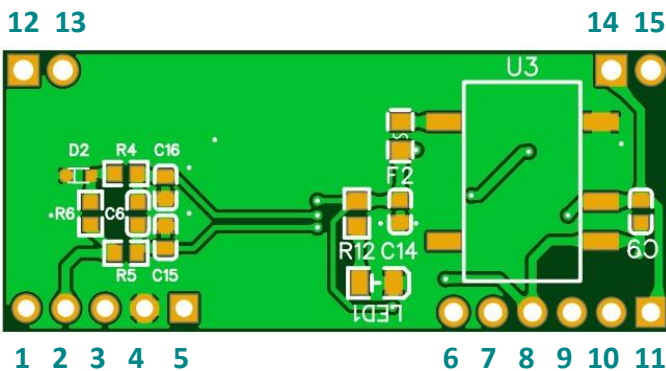
KEY FEATURES AND SPECIFICATIONS

- 2x Isolated analog input 4-20mA
- Current Consumption as Low as 315 μ A (typ)
- Wide supply range: 3 V to 5.5 V
- Programmable gain: 1 to 128
- Programmable data rates: Up to 2 kSPS
- Up to 20 Bits effective resolution
- Simultaneous 50-Hz and 60-Hz rejection at 20 SPS with Single-Cycle settling digital filter
- Two General-Purpose Inputs/Outputs
- 2-Wire UART Compatible Interface (8-N-1 Format) With Baud Rates up to 120 kBaud and Auto-Baud-Rate Detection
- Operating temperature -40 to 80°C
- Module size: 43mm * 18mm * 5mm
- Vertical and horizontal mounting options
- Compatible with standard DIP/SIP pinout
- RoHS Compliant
- Proven PCB Layout
- Fully Assembled and Tested

DESCRIPTION

PMM0901 is a precision, two channel 24-bit, 4-20mA analog input module. The device can perform conversions between analog to digital at data rates up to 2000 samples-per-second (SPS) with single-cycle settling. At 20 SPS, the digital filter offers simultaneous 50-Hz and 60-Hz rejection for noisy industrial applications. The internal PGA offers gains up to 128. This PGA makes the PMM0901 ideally suited for applications measuring small sensor signals, such as resistance temperature detectors (RTDs), thermocouples, thermistors, and resistive bridge sensors.

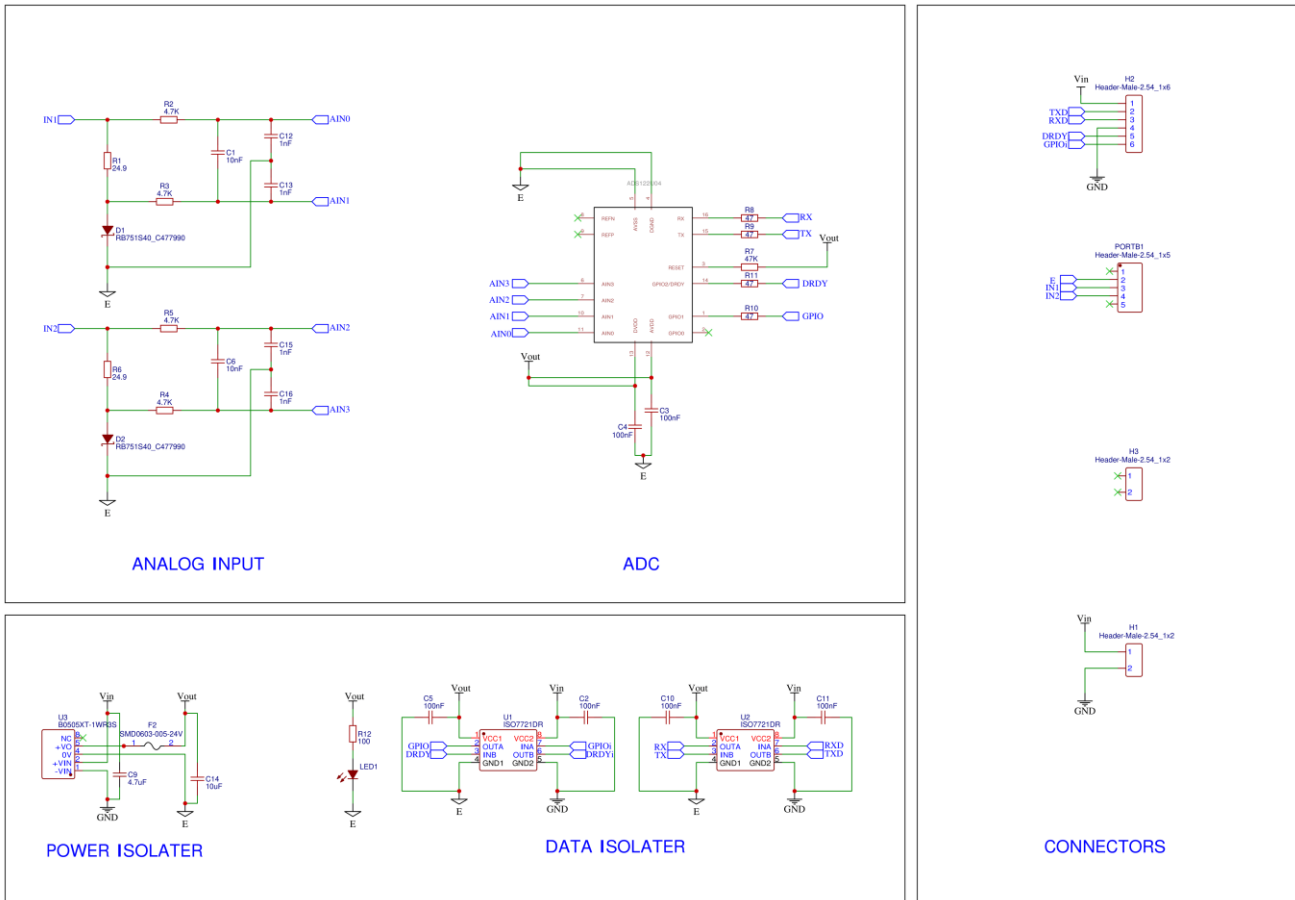
BOARD PINOUT



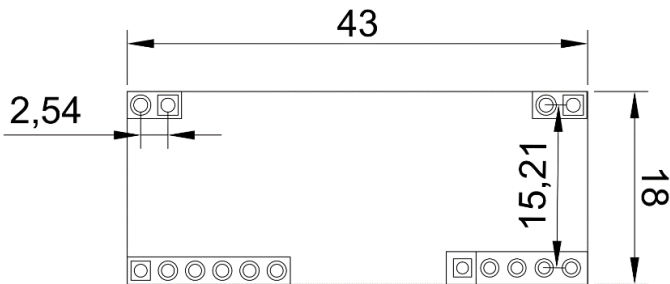
BOARD PINOUT DESCRIPTION

PINs	DESCRIPTION
1,5,12,13	Not Connected
2	Analog Input 2
3	Analog Input 1
4	Field Side GND
6	GPIO 0
7	DRDY1
8,15	CPU GND
9	RX
10	TX
11,14	CPU VIN

SCHEMATIC DIAGRAM



DIMENSIONS (mm)



ORDERING INFORMATION

Part Number	Description
PMM0901	PMM Analog input Module

CUSTOMIZED REQUIREMENT

For any customized inquiries and orders, contact us on info@Pmm-usa.us